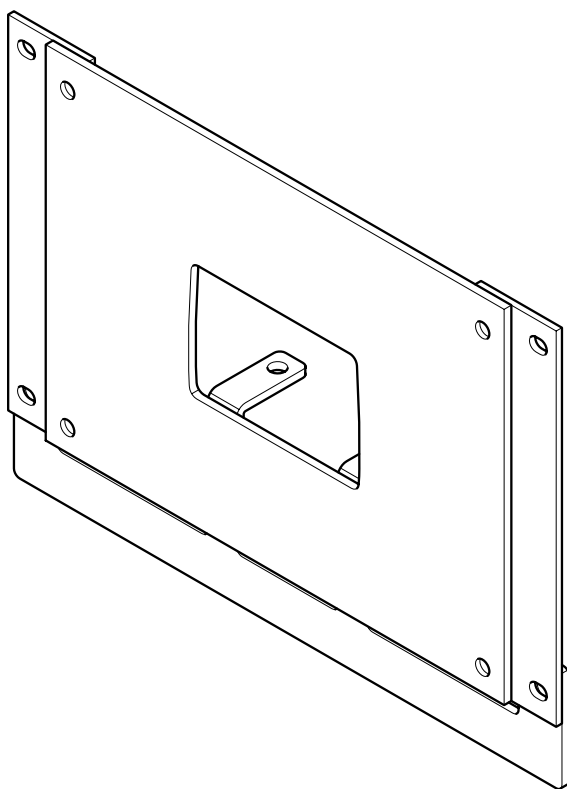


Installation Guide

SPK600

**Kiosk integrated scanner cover + bracket
for Datalogic GFS4470 serie**





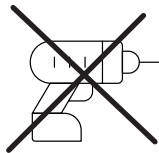
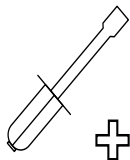
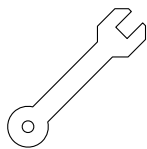
CAUTION

This product is intended for indoor use only.

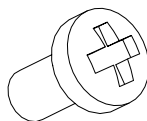
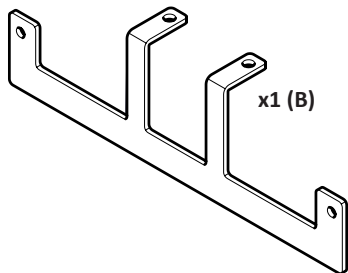
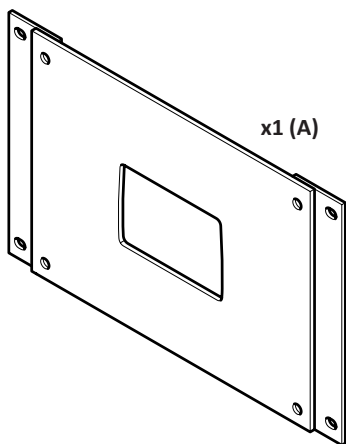
If these installation instructions are not followed correctly, it could lead to product failure and potential personal injury.

Ergonomic Solutions/SpacePole cannot be held responsible for any failure or injury, if the installation instructions are not followed correctly.

Tool list

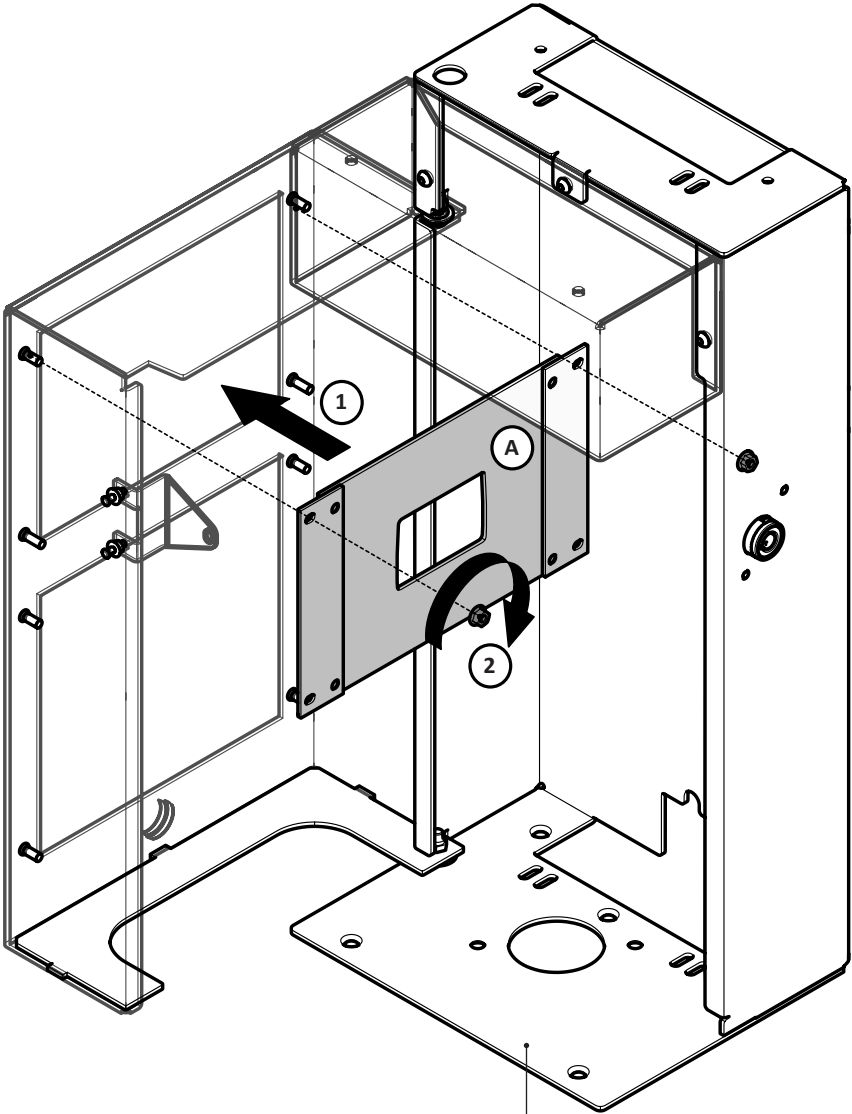


Box content



x2 M3x6

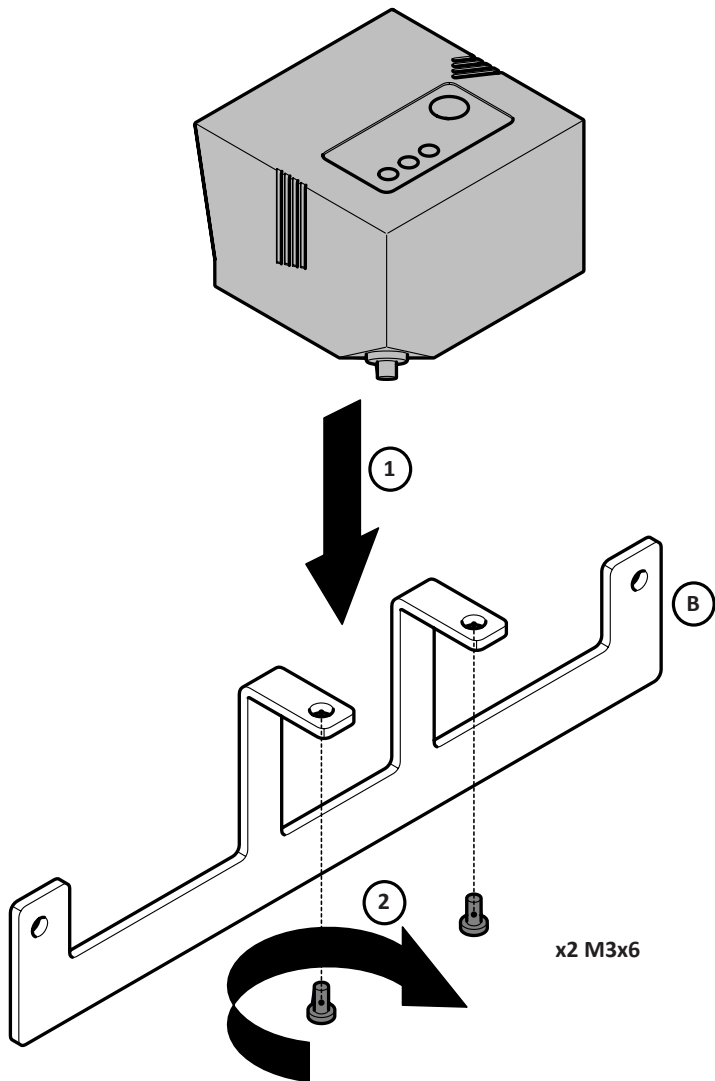
1 Mount scanner cover (A) on to the Center module



SPK2XX
(Supplied separately)

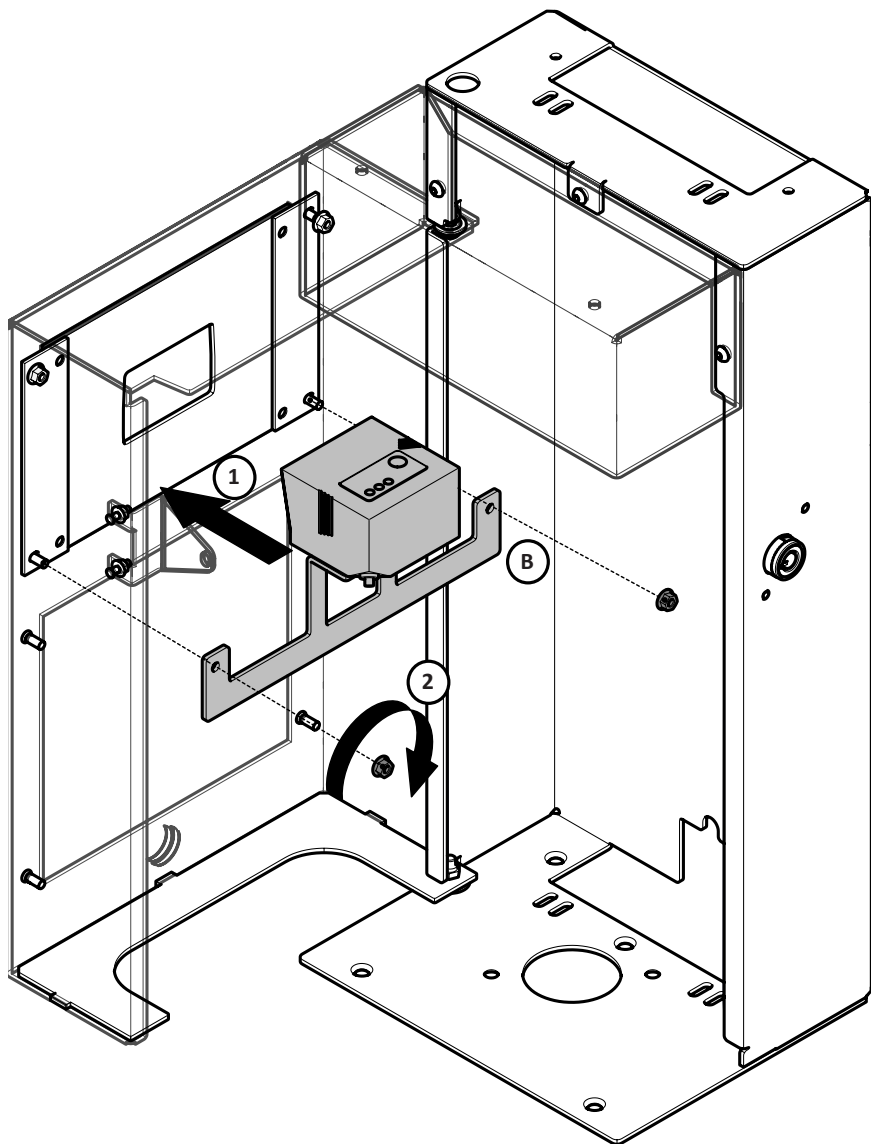
2

Mount scanner on scanner bracket



3

Mount scanner bracket (B) on to the Center Module



Need help? Contact us

